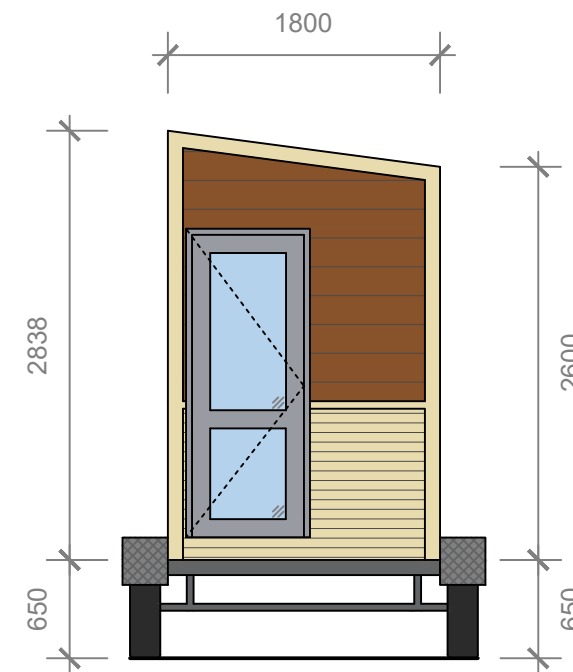
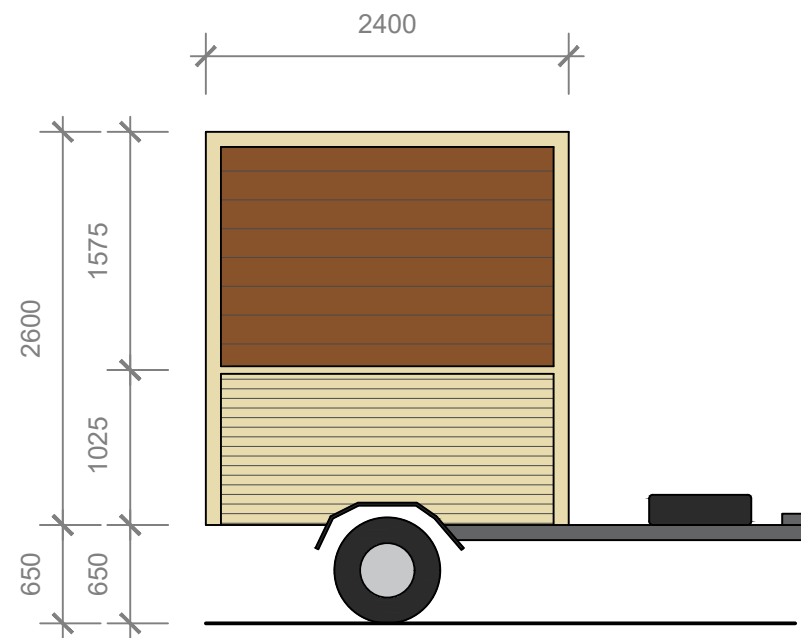


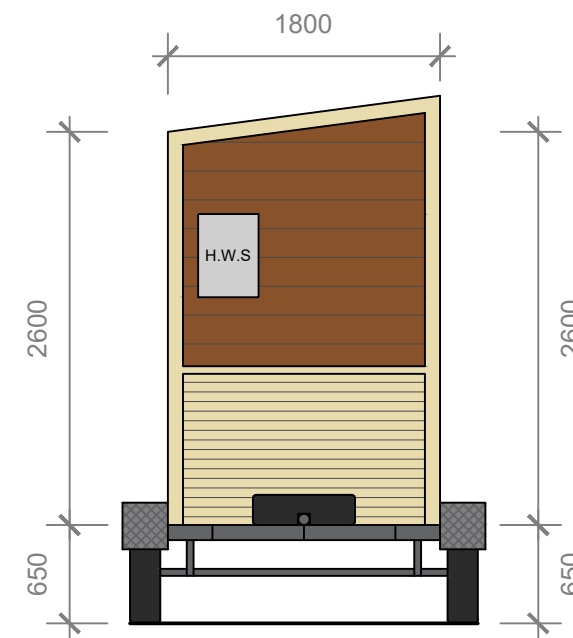
01 - FRONT SIDE ELEVATION
02 - 1:50



02 - REAR ELEVATION
02 - 1:50



03 - REAR SIDE ELEVATION
02 - 1:50



04 - FRONT ELEVATION
02 - 1:50

Company:



PROPOSED ELEVATIONS
TINY HOMES TILBA

Date: 24/02/2020

Ref: PROP

Drawn: CB

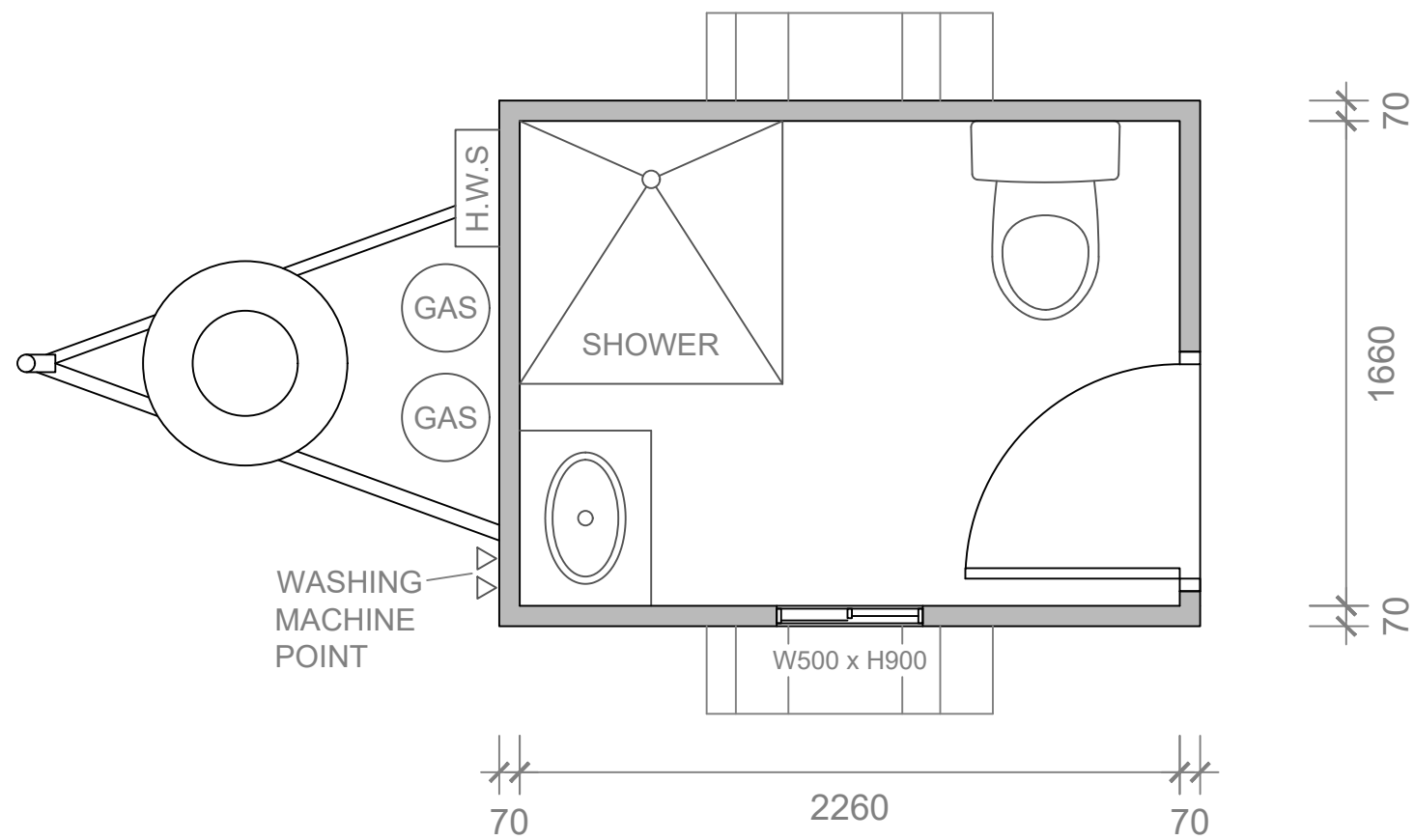
Scale: 1:50 @ A3

REV: 0

Sheet: 2 of 2

TINY HOMES TILBA
9003 Princess Highway
Tilba Tilba
NSW 2546
ph. 0414499458
www.tinyhomestilba.com.au





Company:



PROPOSED FLOOR PLAN
The Mobile Ensuite
TINY HOMES TILBA

Date: 29/03/2020

Ref: PROP THEMOBILEENSUITE

Drawn: CB

Scale: 1:25 @ A3

REV: 0

Sheet: 1 of 2

TINY HOMES TILBA
9003 Princess Highway
Tilba Tilba
NSW 2546
ph. 0414499458
www.tinyhomestilba.com.au



SCALE 1 : 25